



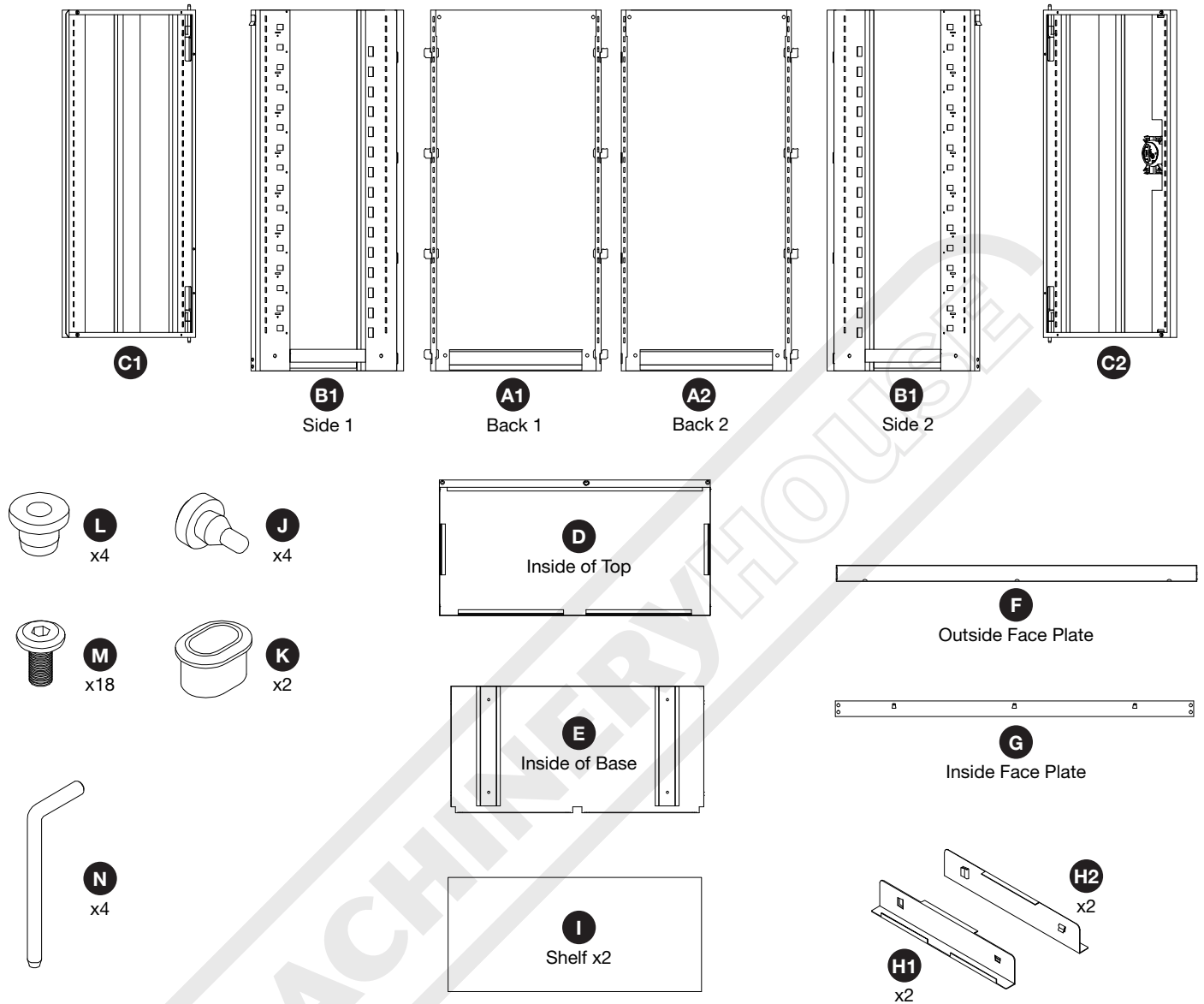
Edition : 1.0
Date: (11/24)

Instruction Manual

INDUSTRIAL STORAGE CABINET BSC-900

Order Code: (T774)

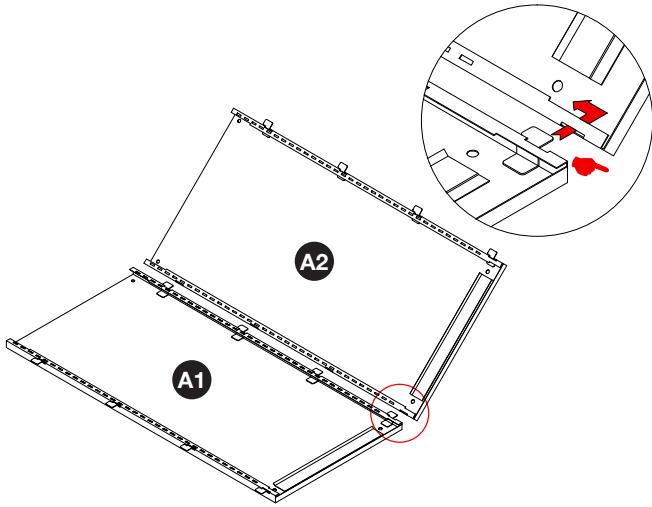
PARTS LIST



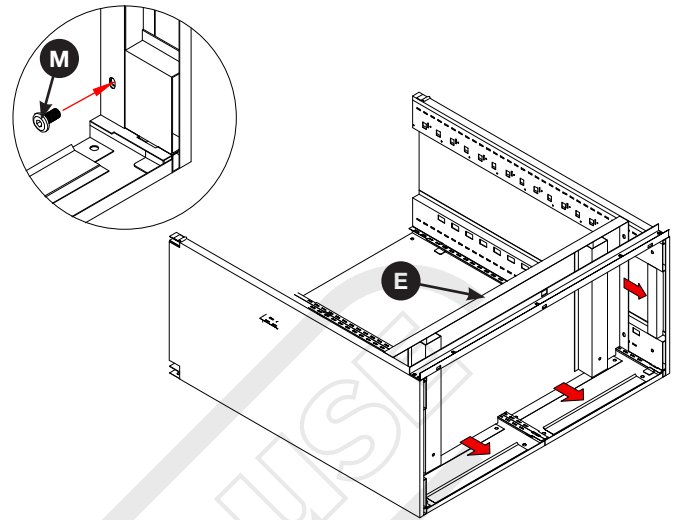
Part No.	Description	Qty
A1	Back 1	1
A2	Back 2	1
B1	Left Side Panel	1
B2	Right Side Panel	1
C1	Left Door	1
C2	Right Door	1
D	Top	1
E	Base	1
F	Outside Face Plate	1
G	Inside Face Plate	1

Part No.	Description	Qty
H1	Right Shelf Supports	2
H2	Left Shelf Supports	2
I	Shelves	2
J	Rubber Button Bumpers	4
K	Door Lock Plugs	2
L	Hinge Plugs	4
M	Screws	18
N	Hinge Pins	4

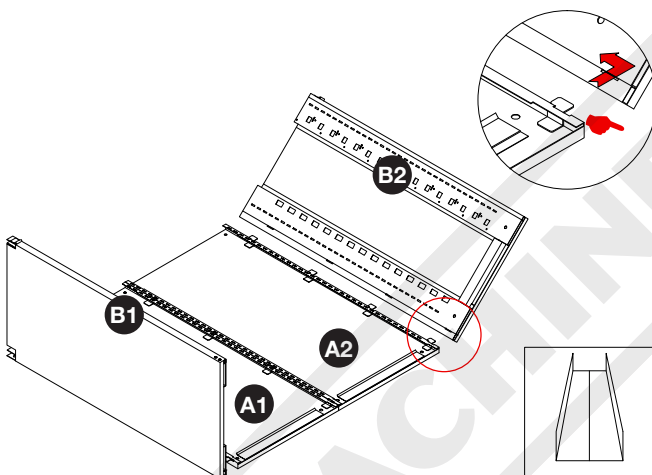
Step 1: Attach back 1 & back 2 panels together (A1 & A2) as shown below.



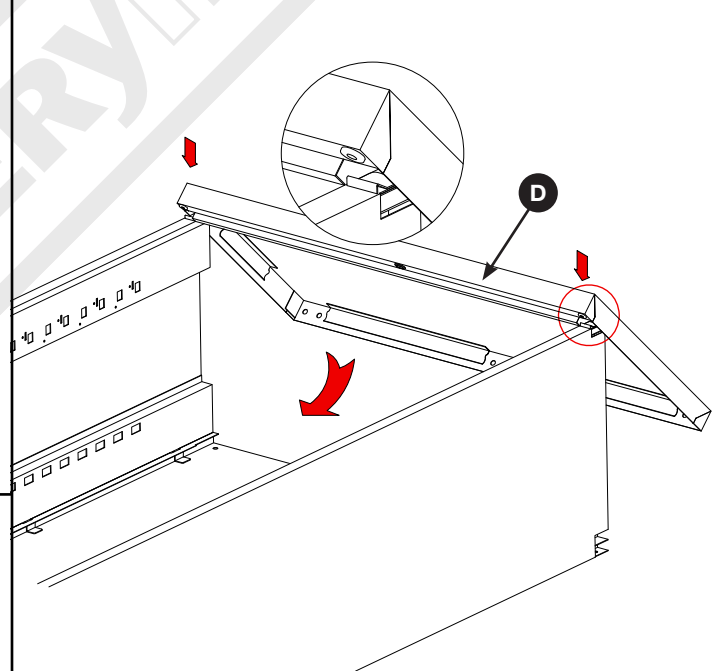
Step 4: Insert the base (E), then use screws (M) to secure in place as shown below.



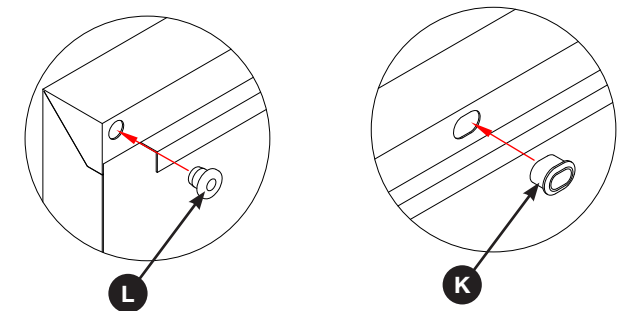
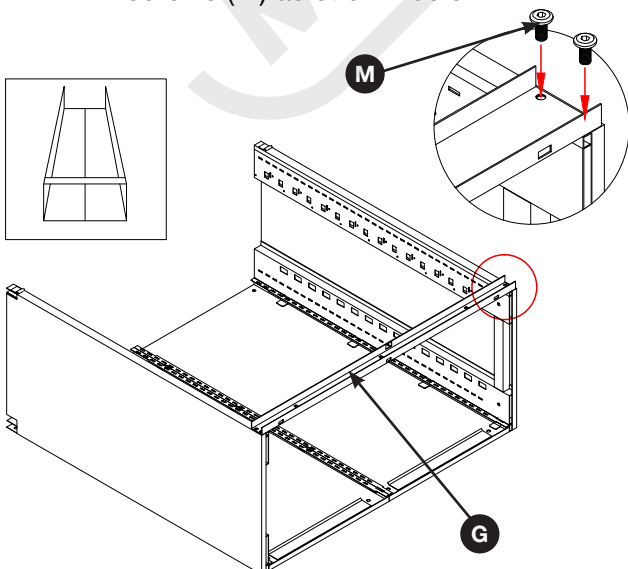
Step 2: Connect the left side panel (B1) and right side panel (B2) together to the back panels (A1 & A2) as shown below.



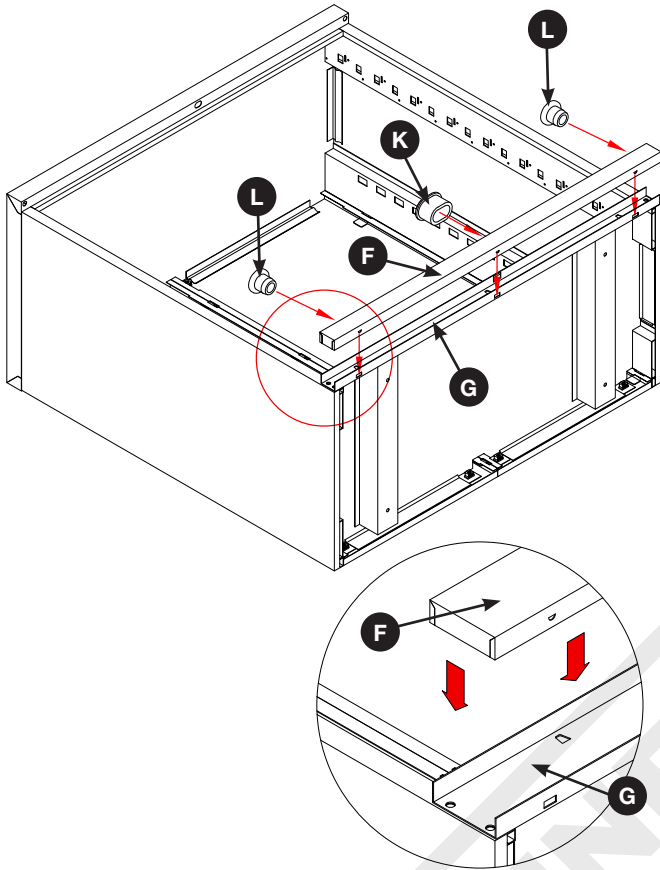
Step 5: Attach the top (D), then insert 2 x hinge plugs (L) & 1 x door lock plug (M) as shown below.



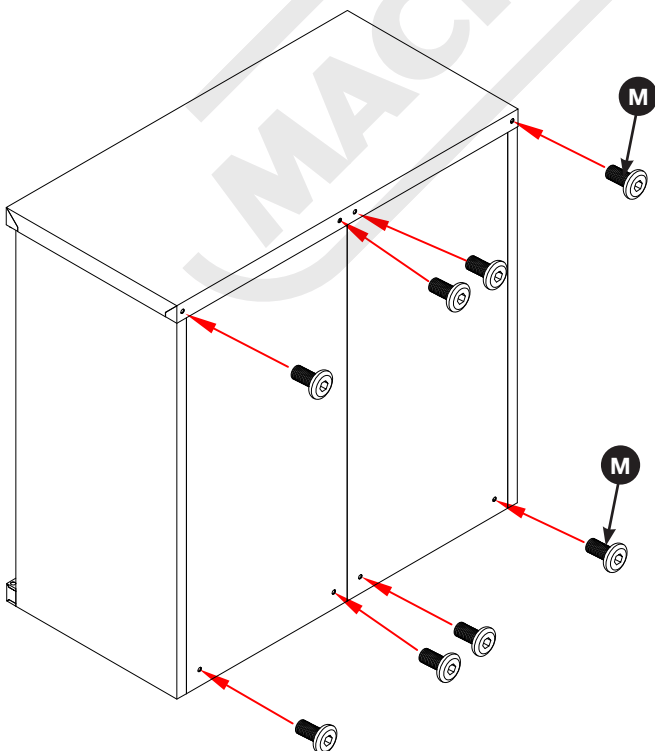
Step 3: Connect the inside face plate (G) with screws (M) as shown below.



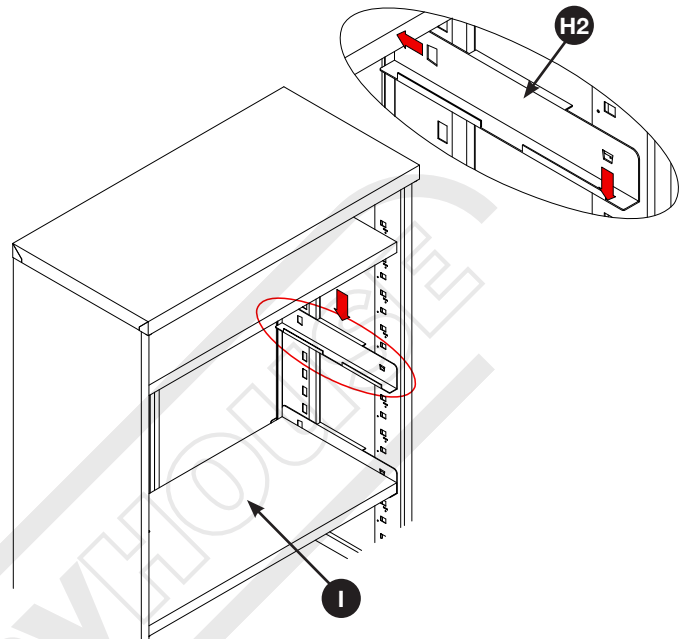
Step 6: Attach the outside face plate (F) to the inside face plate (G) then insert 2 x hinge plugs (L) and 1 x door lock plug (K) as shown below.



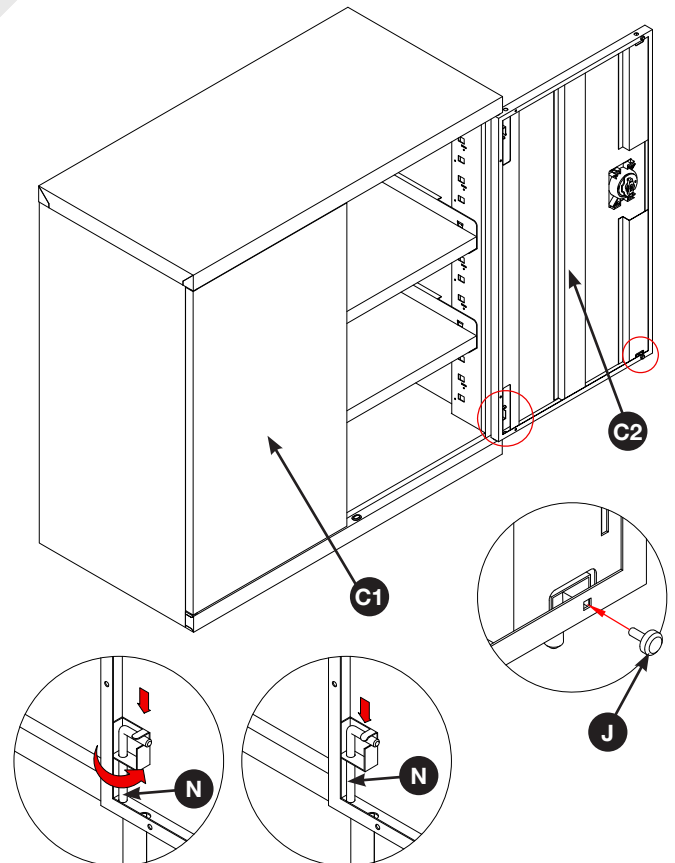
Step 7: Stand Cabinet upright and use 8 x Screws (M) to fix the frame together.



Step 8: Attach the left and right shelf supports (H1 & H2) at your preferred height to both sides of the cabinet. These will support the shelves (I).



Step 9: Attach Doors (C1 & C2) to the cabinet using and insert the 4 x hinge pins (N) then insert the 4 x rubber button bumpers (J) as shown below.





ENVIRONMENT PROTECTION

Recycle unwanted materials instead of disposing of them as waste. All tools, accessories and packaging should be sorted, taken to a recycling centre and disposed of in a manner which is compatible with the environment. When the product becomes completely unserviceable and requires disposal, drain any fluids (if applicable) into approved containers and dispose of the product and fluids according to local regulations.

Imported by

HARE & FORBES
MACHINERYHOUSE

Australian Distributor

Hare & Forbes
Machineryhouse
Sydney - Melbourne
Adelaide - Brisbane - Perth

Ph: 1300 202 200
www.machineryhouse.com.au

MACHINERYHOUSE

New Zealand Distributor

Machineryhouse
Auckland
Christchurch

Ph: 0800 142 326
www.machineryhouse.co.nz